

## Dual Plate Flangeless Wafer Type Check Valve



### Use

Isolation of Biogas / Biomethane  
(Renewable Natural Gas)

### Features and benefits

- Differential pressure to open - 0.02 bar
- Spring assisted to ensure closure
- Wafer pattern to suit multiple flange drillings
- Lifting eye for ease of installation
- Compact, robust design
- Vertical or horizontal installation
- Bonded seat

### Options

- Anti static design in accordance with EN 736/3 and API 609
- Available in varying materials to suit application type

### Size

DN50 - 600

### Pressure

PN16

### Temperature Range

-30°C to + 110°C

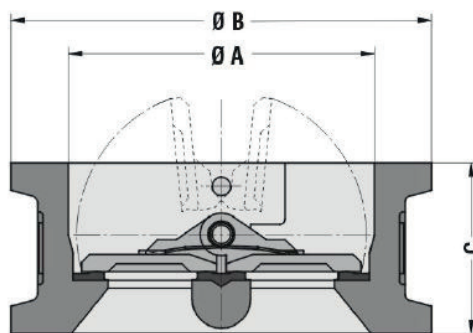
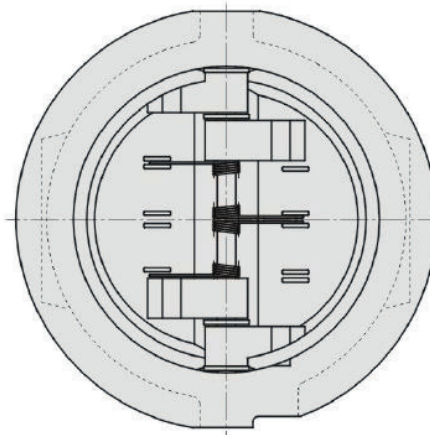
### Body

Cast iron

### Approvals

EN 19  
MSS SP 25  
EN10204 - 2.2, 3.1, 3.2

AVK Ref	DN	A	B	C	Weight
	mm				
642-0050-6021680560000	50	67	100	43	1.3
642-0065-6021680560000	65	84	118	46	1.8
642-0080-6021680560000	80	100	140	64	3.5
642-0100-6021680560000	100	115	158	64	4.5
642-0125-6021680560000	125	135	188	70	6.5
642-0150-6021680560000	150	160	212	76	8.5
642-0200-6021680560000	200	210	268	89	13
642-0250-6021680560000	250	256	325	114	24
642-0300-6021680560000	300	306	375	114	36
642-0350-6021680560000	350	356	430	127	45
642-0400-6021680560000	400	406	475	140	60
642-0450-6021680560000	450	466	554	152	85
642-0500-6021680560000	500	486	620	152	105
642-0600-6021680560000	600	600	733	178	150



### Materials of Construction

No.	Description	Material
1	Body	Cast iron JL 1040, EN 1561
2	Seat	NBR
3	Disc	Austenitic stainless steel 1.4408, EN 10213
4	Plug	Bronze
5	Sealing	NBR
6	Shaft	Martensitic stainless steel 1.4408, EN 10213

No.	Description	Material
7	Spring	Martensitic stainless steel 1.4408, EN 10213
8	Stop pin	Martensitic stainless steel 1.4408, EN 10213
9	Washer	Stainless steel A4
10	Seal	NBR
11	Plug	Stainless steel A4
12	Lifting eye bolt	St/Zn5C



### Andy Hatton

Renewable Gas Sales Engineer

M: +44 (0) 7395 795814

E: anha@avkuk.co.uk



Website



AVK UK Ltd



@avk\_uk



avkuk limited